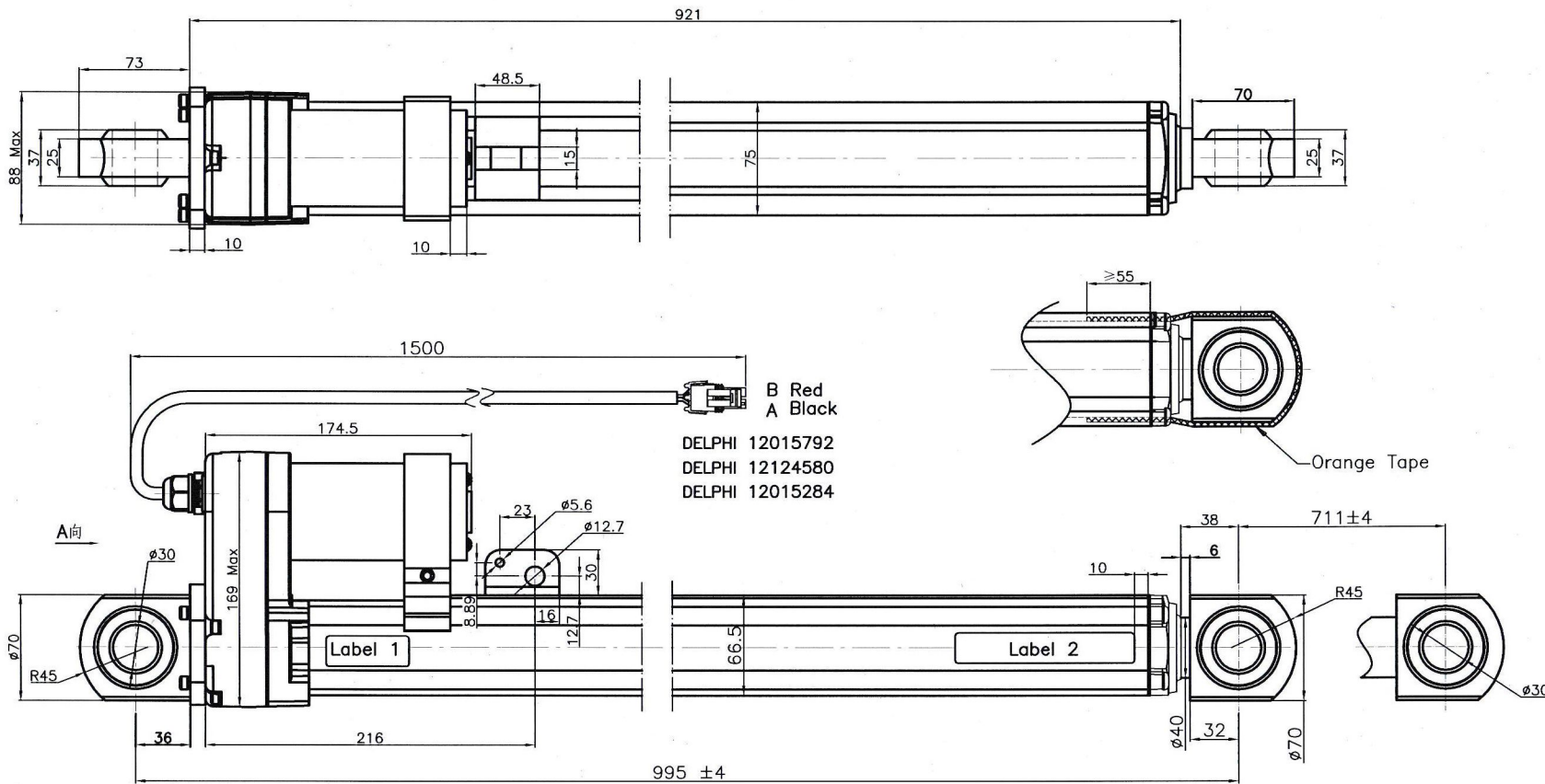
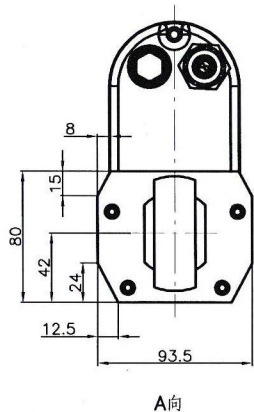


Item	A	B
Color	Black	Red
Up	-	+
Down	+	-

Product parameter	
Voltage	24VDC
No-load speed	1.4mm/s±10%
No-load MAX amp	≤0.6 A
Full load speed	1mm/s±10%
Full load MAX amp	≤4 A
Stroke	711
Installation size	995
Pull/Push load	10000N(20,000cycles)
Max push/pull load	20,000N(2000cycles)
Extreme Pull/Push load	30,000N(100cycles)
Front head	∅30
Rear head	∅30
Copper wire	twin-core 14AWG
Wire length	1500mm
Connector	DELPHI 12015792
Limited switches	Built in
Motor normal power	90W



Note:  
1. Hold load 45,000N, the stroke should be less than 400mm.



A	Sample Issue				Payne	2017.02.25		
REV.	DESCRIPTION				ECN NO.	BY	DATE	APPD. DATE
UNIT.	MM	SCALE	NONE	MATERIAL	NAME		Actuator 2005 G45	
TOL.			SHEET	FINISH				
			1/1					

© SAT CONTROL d.o.o.  
Poženik 10, SI-4207  
CERKLJE - SLOVENIA  
www.sat-control.net  
www.solar-motors.com  
www.milling-turning-parts.com  
info@sat-control.si  
tel: +3864-281-62-00

Want to get more?™