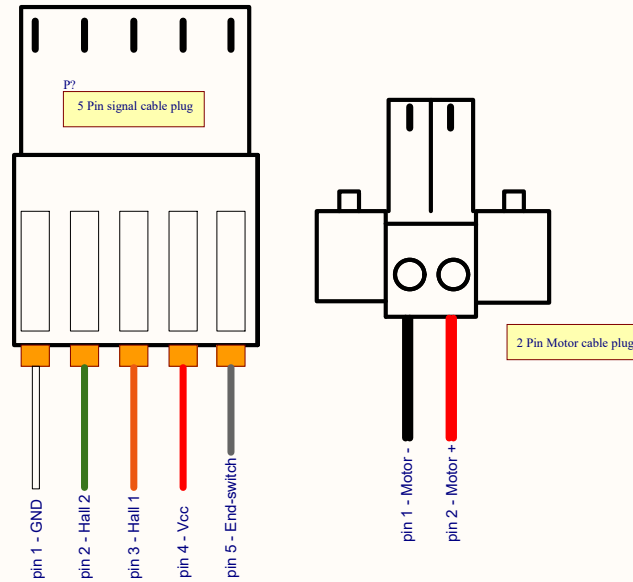


Motor Cable Color Connection Diagram

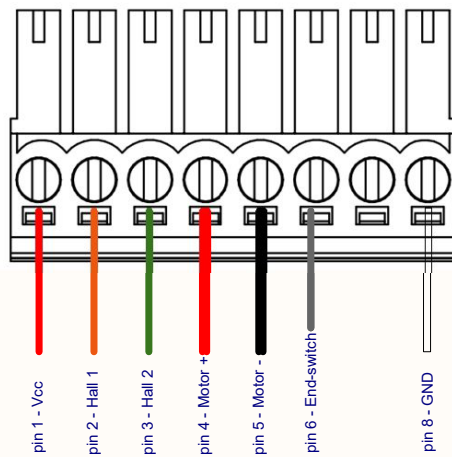
TIV25F R4

Motor - side connection

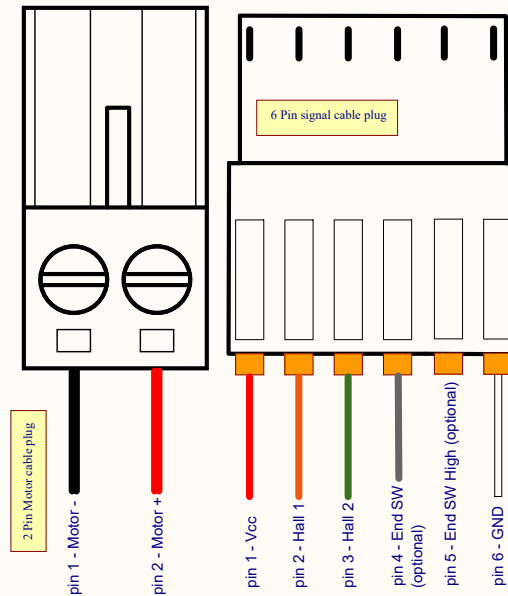


Nano-F - TIV34F R4 positioner

Positioner - side connection



Micro-F - TIV36F R4 positioner



| | | |
|---|----------|-----------|
| Title | | |
| Size A3 | Number | Revision |
| Date: 11.24.2023 | Sheet of | Drawn By: |
| File: C:\Users\...Priklop-Motor\SchDoc | | |