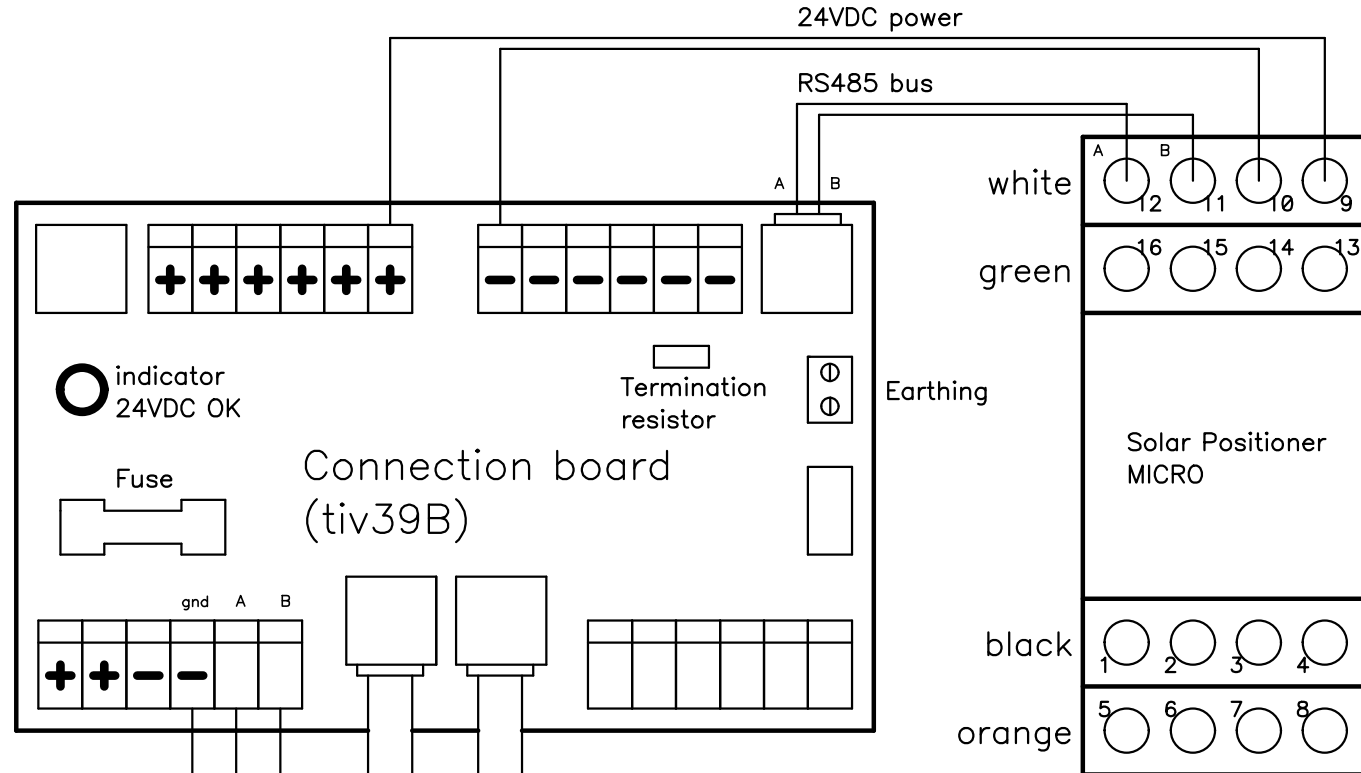


Connection board wiring RS485 BUS



RS485 can be wired using:

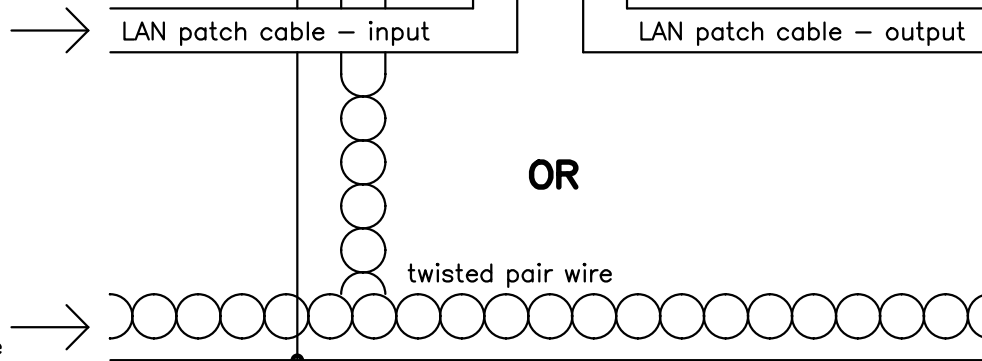
OPTION 1:

LAN patch cable UTP-CAT5
(half of the cable is used)

OR

OPTION 2:

twisted-pair wires + gnd wire



Termination resistor
should be used only
at the both ends of
the RS485 bus

Title		
Connection board wiring - RS485 BUS		
Size	Number	Rev
A4		0
Date	22.1.2012	Drawn by A.Oman
Filename		Sheet of