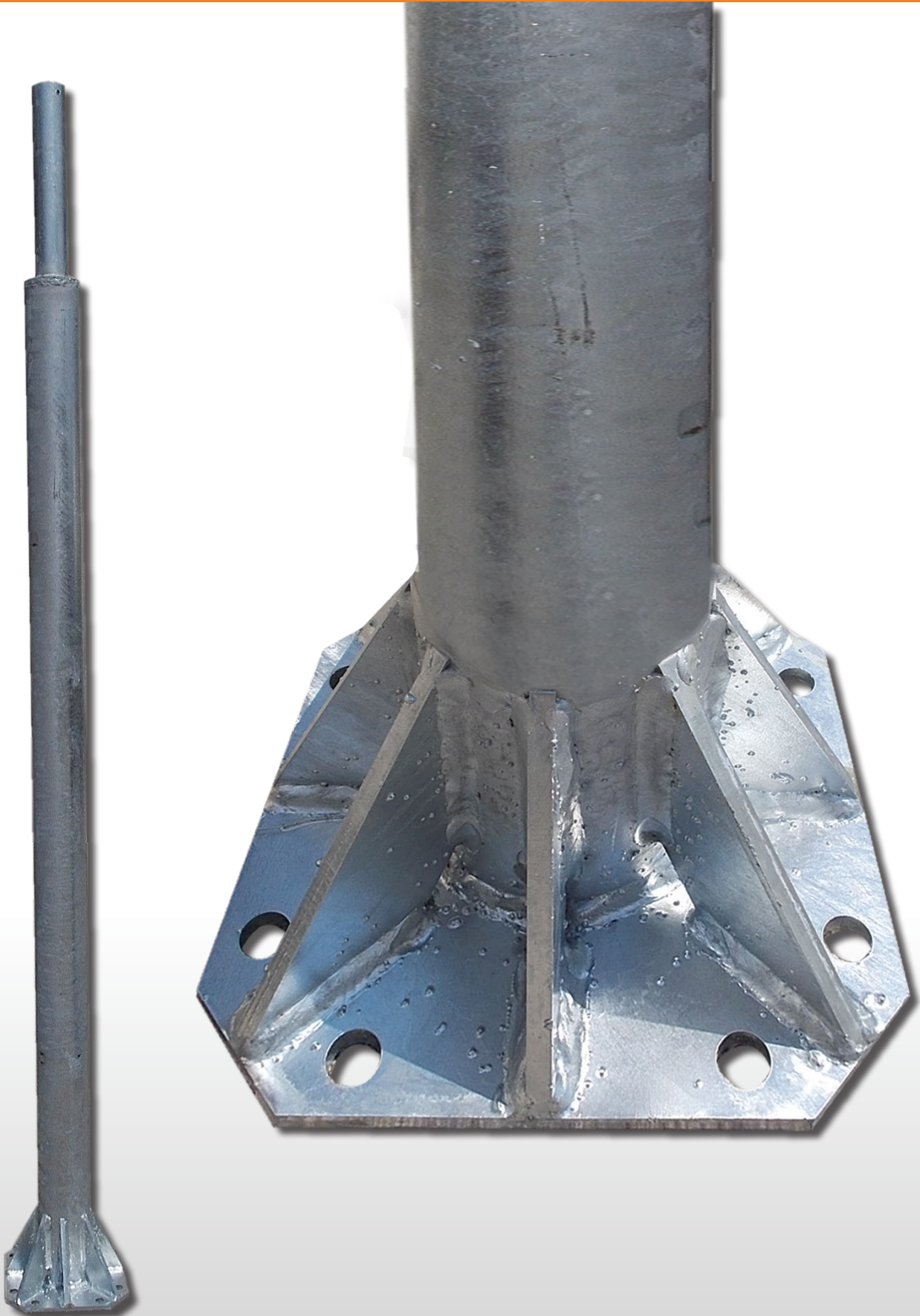


Main pole for concrete block - NSST44M2V4P

Code: 7507



Made in Europe

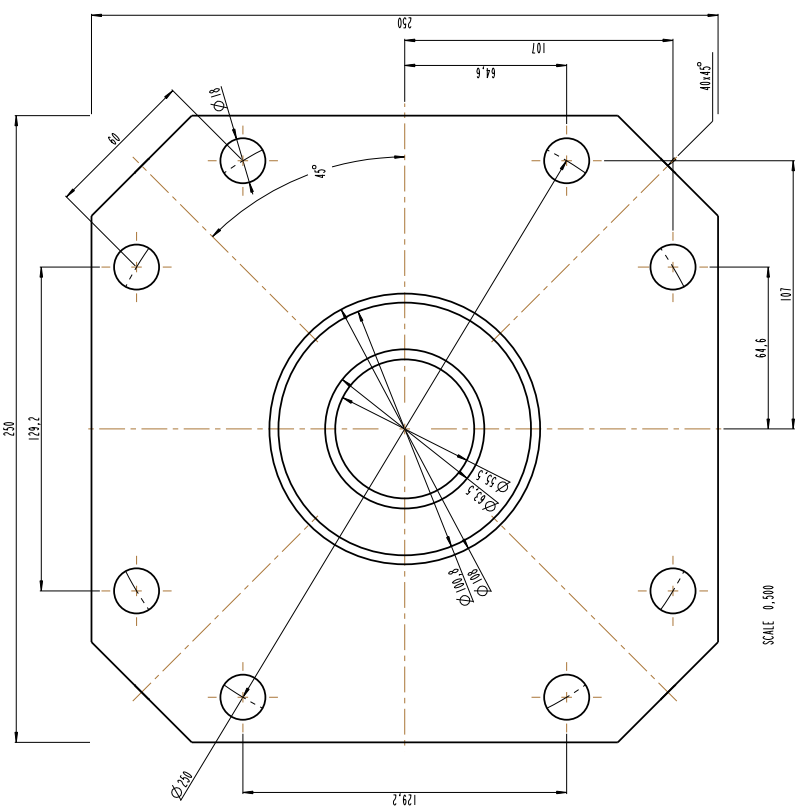
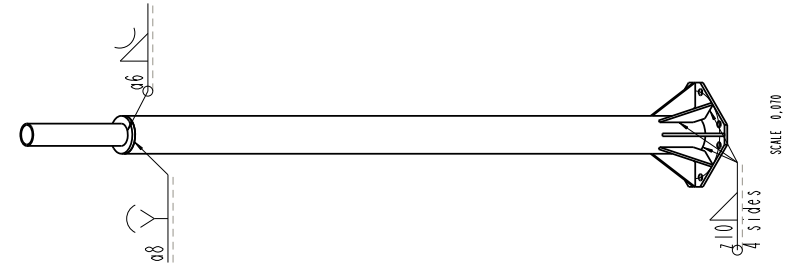
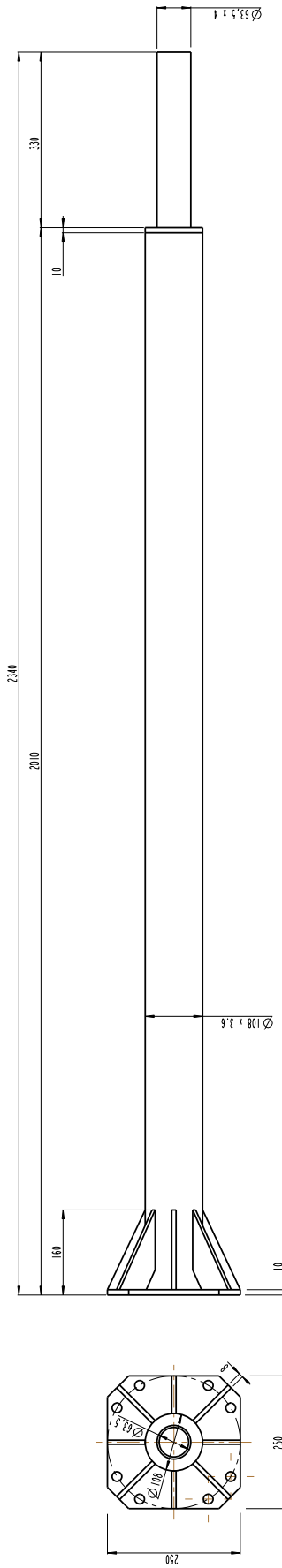
Sat Control d.o.o.

Poženik 10, 4207 Cerklje na Gorenjskem, Slovenia, Phone: +386 4 281 62 00,  
info@solar-motors.com, info@sat-control.com www.solar-motors.com, www.sat-control.com

**SAT CONTROL**  
Want to get more?

# Main pole of solar tracker ST44M2V4P - Mechanical Drawing

Dr. in. vr. št. / Datum izp. / Ime:	Projektor / Ime:
-------------------------------------	------------------



7507	1/1	S235	D108-163	NT	ISO 2168 W	Varčivo vrste cinkano ISO 14713, 50-80um
Position:	Quantity:	Material:	Size:	Open packages:	Open packages:	Open packages:
Druga B	Druga B	Druga B	7507	NOSSIES744M2V4P	7507-A	24918, 400 L
Druga B	Druga B	Druga B	EN cod. / standard:	Code A2:	No. of drawing:	Mass:
Checked by:	Approved by:	Checked by:				
<p><b>SAT CONTROL</b>  <small>Want to see more?</small></p>						
<p>Sat Control d.o.o. Potnik 10, SI-4207 CERKLJE - SLOVENIA - EU</p>						
<p>Description: Pole of solar tracker ST44M2V4P</p>						
<p>File: STE.MOS.ST44M2V4P / STE.MOS.ST44M2V4P</p>						
Total mass:						Page:
V1						11.02.15
						1 / 1