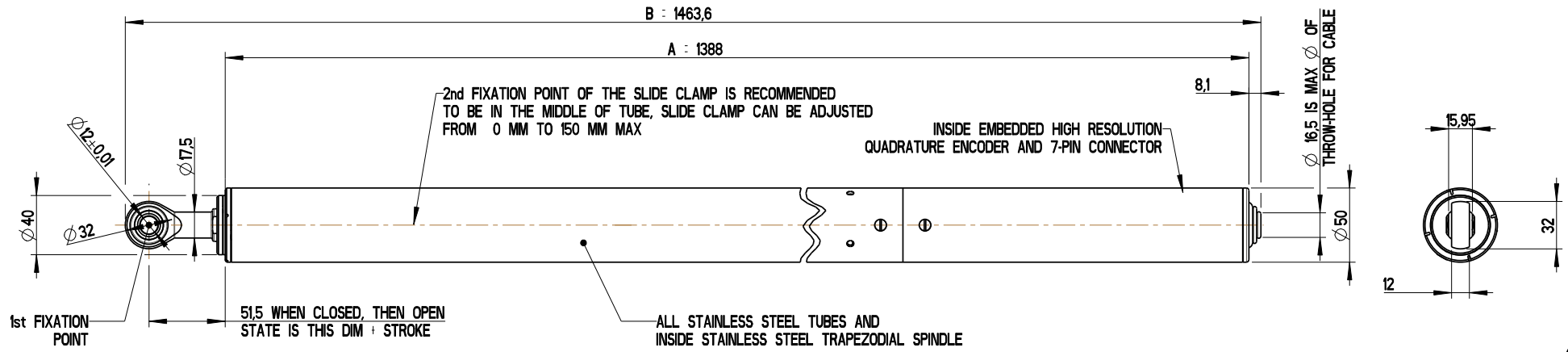
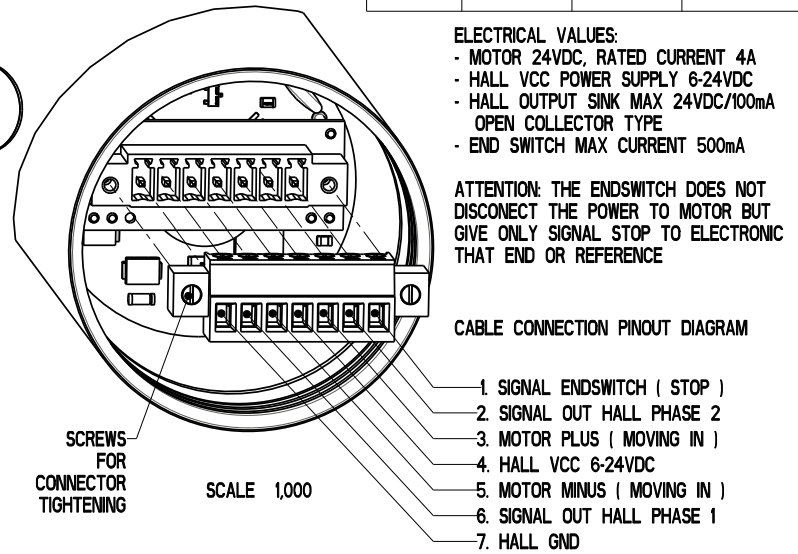
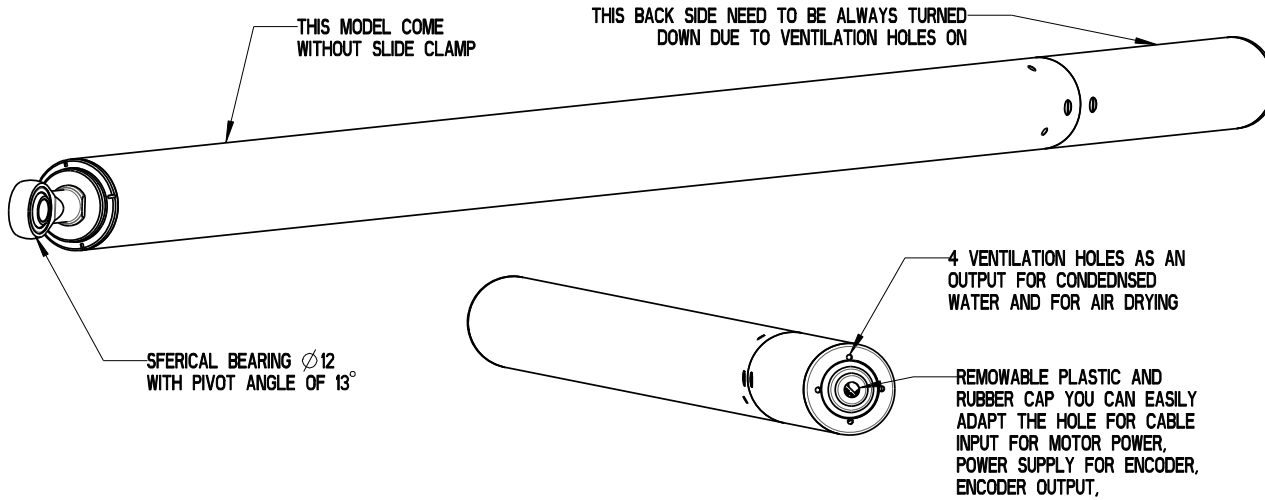


No. of chan. on drz.	No. of changes:	Date:	Checked & approved by:



SOLAR LINEAR ACTUATORS - MOTORS FAMILY TABLE

MODEL	EAN	STROKE	A	B	CLAMP TYPE
SM4S900M3NC	383106390094	900 mm	1388	1463,6	NO CLAMP
SM4S600M3NC	383106390092	600 mm	1088	1163,6	NO CLAMP
SM4S450M3NC		450 mm	938	1013,6	NO CLAMP
SM4S300M3NC	383106390093	300 mm	788	863,6	NO CLAMP
SM4S200M3NC		200 mm	688	763,6	NO CLAMP

0094	1	Assembly	D50x1467	N7	ISO 2768 M	Material Stainless steel tubes and spindle	Pozenik: 28.04.12	
Position:	Quantity:	Material:	Size:	Open roughness:	Open tolerances:	Treatment & Remarks:	Place & Date:	
Bolka B.		Bolka J. Bolka B.	383106390094		SM4S900M3NC	0094-A	0,250 9/25.554 g	
Drawn by:	Checked by:	Approved by:	EAN code / standard:	Code +2:	No. of drawing:	Scale:	Mass:	
<b>SAT CONTROL</b>			Description: Solar linear actuator-motor SM4S900M3 w/o clamp				Latest version:	
Sat Control d.o.o. Pozenik 10, SI-4207 CERKLJE - SLOVENIA - EU			File: SM4.S900.M3.NC / SM4.S900.M3.NC				V1	Page: 1/1