

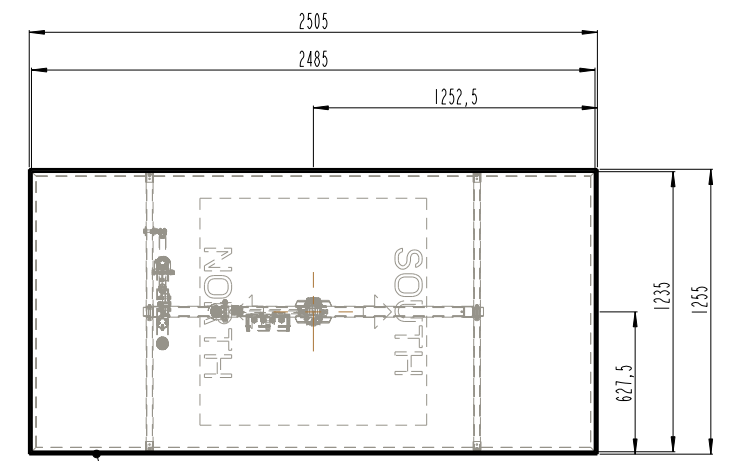
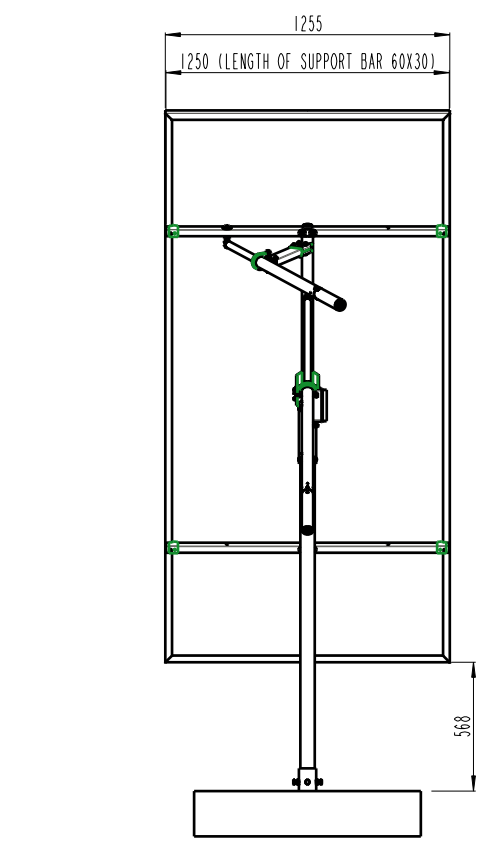
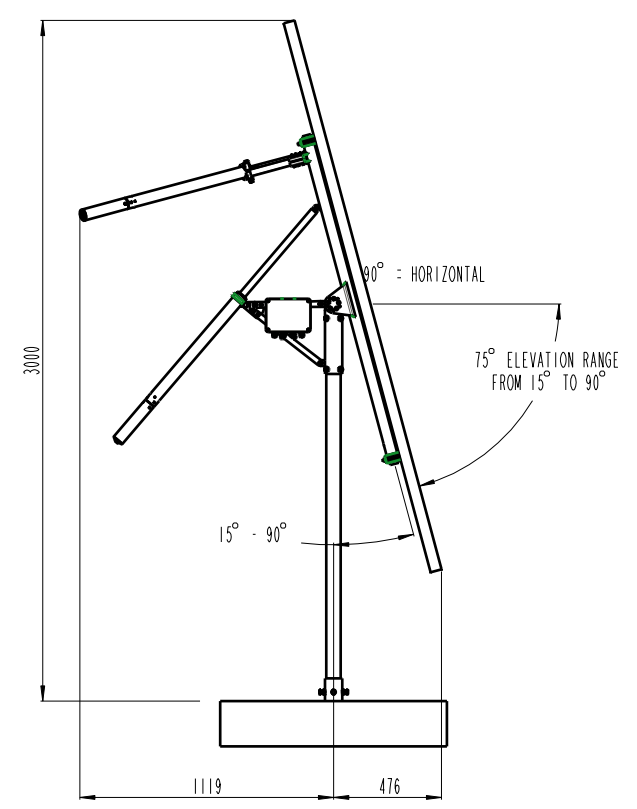
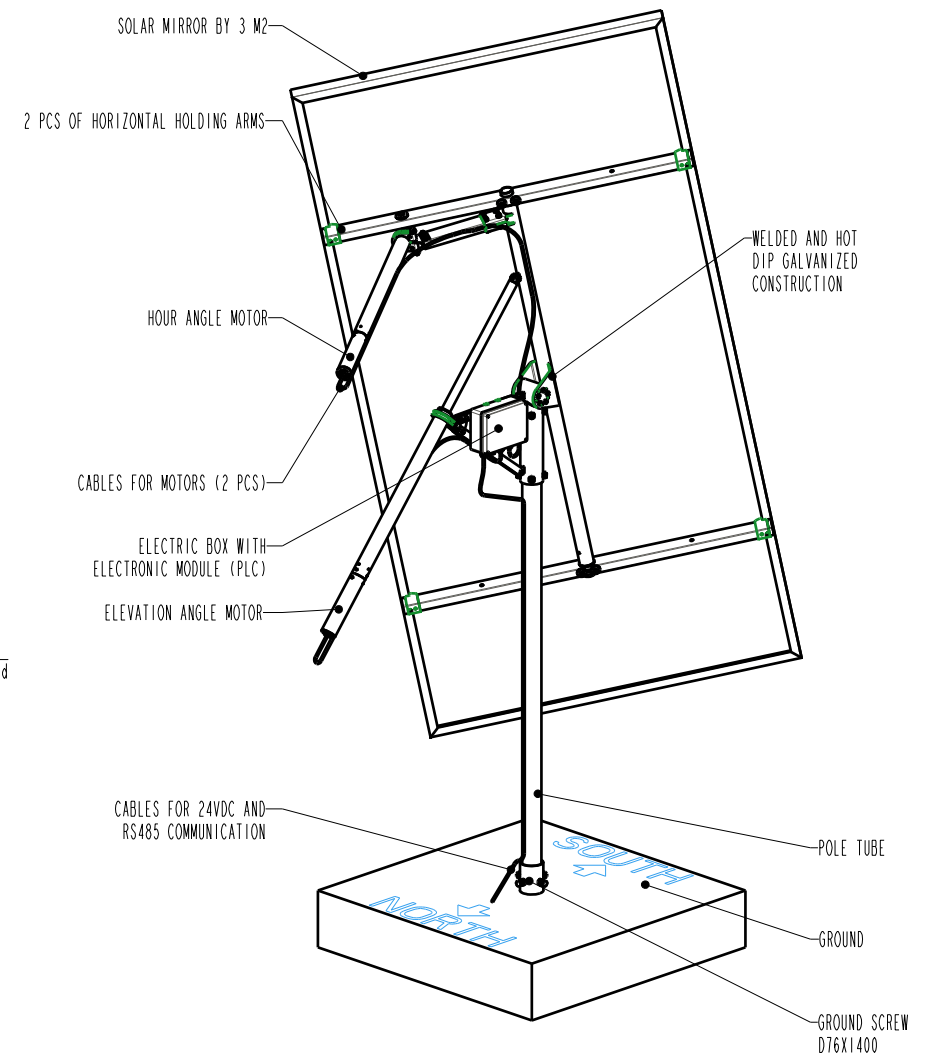
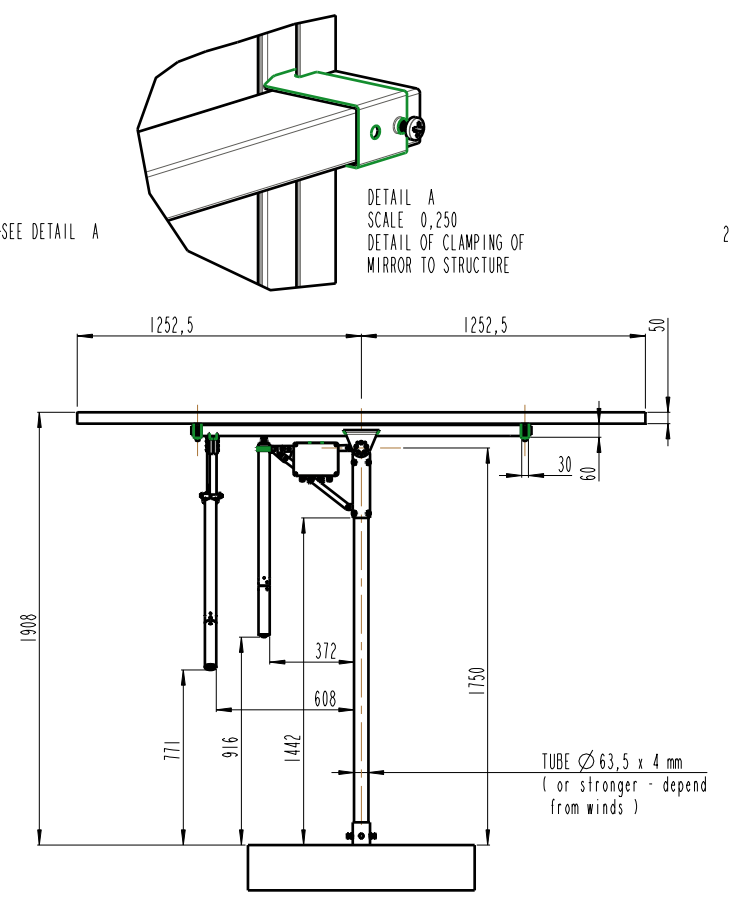
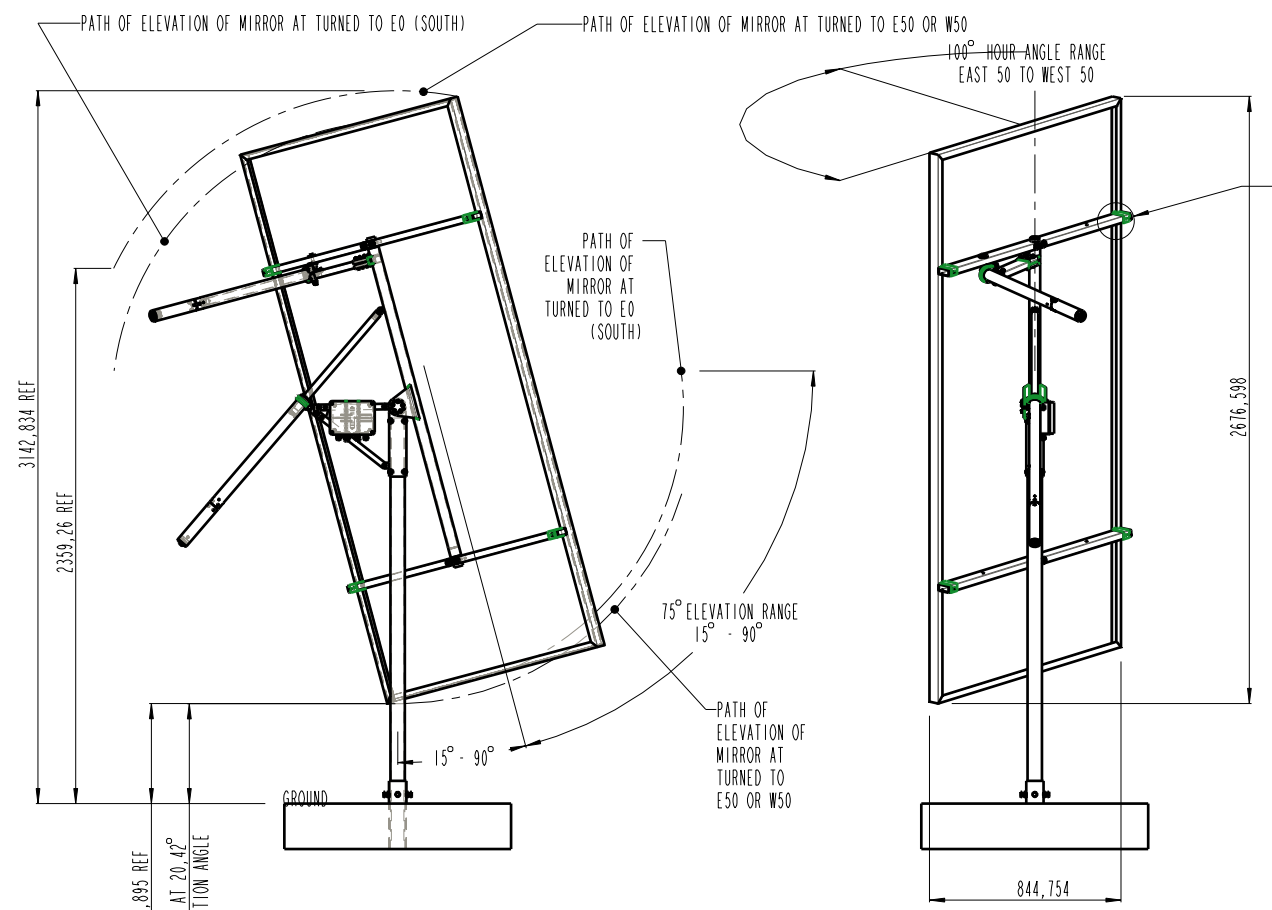
Št. apr. in risbi:	Evidenca št. sprememb:	Datum:	Prejeto in oddano:

Confidential & Copyright ! Zaupno, prepovedano kopiranje !

Confidential & Copyright ! Zaupno, prepovedano kopiranje !

Confidential & Copyright ! Zaupno, prepovedano kopiranje !

Confidential & Copyright ! Zaupno, prepovedano kopiranje !



METALLIC MIRROR WITH SANDWICH MATERIAL AL+PL+AL
 - ALUMINIUM FRAME H=50 (DIM 50X30)
 - WITH 3.06 M2 REFLECTION SURFACE

- ATTENTION - OTHER PARAMETERS:
- Structure is protected with hot dip plating by EN ISO1461
 - Linear actuators are made from stainless steel tubes and spindle. Hardened steel is galvanically protected against rust so good as 1200h can survive in salt chamber. DC motors in linear actuators are DC brush and need to be changed each 5-10 years, depend from operation.
 - All other mechanical and electronic parts can survive up to 50 years in harsh environment.
 - Max. allowed wind speed is in working position is 70 km/h. (If you install this heliostat in area with high winds you must install wind sensor as well. Wind sensor is not a part of this solar tracker. You can buy it additionally for this case.)
 - Max. allowed wind speed in safe wind position is 140 km/h.
 - Max. allowed solar mirror surface must not exceed 3,2 m2.
 - Max. allowed solar tracker height must not exceed 2m above ground in horizontal position.
 - Max. allowed snow weight on top of the solar mirrors is 150 kg/m2. In case you install it in the area with a lot of snow, ensure that the snow will fall down with normal operation or you have to clean it.
 - Hour angle range is from EAST 50° to WEST 50° = 100°
 - Elevation angle range is from 15° to 90°. (90° = horizontal)
 - Calculation of angle accuracy: ±0,01°, Mechanical accuracy is: ±0,1°
 - Sun reflection can start at EAST 100° and stop at WEST 100°, this means 200° of reflection range.
 - Power supply is 24VDC ±10% 2,5A capacity.
 - Communication cable for RS485 modbus is 2x2x0,5mm2 twisted pair cable.
 - Ground screw and vertical tube is not a part of solar heliostat and you can buy it separately.
 - Mirror panel are not as part of solar heliostat and you can buy it separately.
 - Here are included only to see complete situation with solar heliostat.
 - In case of high winds consult with SAT CONTROL how to ensure appropriate stability of pole or/and ground screw about dimensions and materials.
 - Guarantee period is 2 years.
 - Made in Europe - Slovenia (less than 2% of imported goods).

***** SAT CONTROL TEAM *****



0112	1	Asm of SM4M2+SM4M2 + constr.	-	N7	ISO 2768 M	Hot dip plating by EN ISO1461
Position: Quantity:		Material:		Size:		Open roughness: Open tolerances: Treatment & Remarks:
Bolka B.	Bolka J.	Bolka B.	0112	ST44M2HEL3	0112-A	0,040 77263,622 g
Drawn by:		Checked by:		Approved by:		EAN code / standard: Code #: No. of drawing: Scale: Mass:
			Description: Heliostat ST44M2HEL3 without mirror for 3m2 reflection surface mirror			
Sat Control d.o.o. Pozenik 10, SI-4207 CERKLJE - SLOVENIA - EU			File: ST44M2HEL3 / ST44M2HEL3		Latest version: Date: Page:	
			V1		08.12.14 1/1	