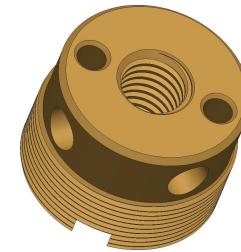
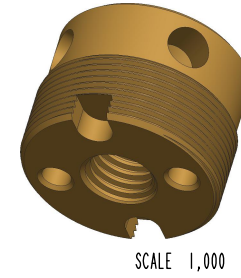
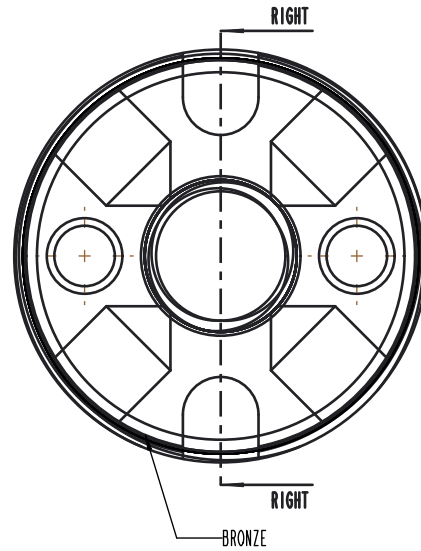
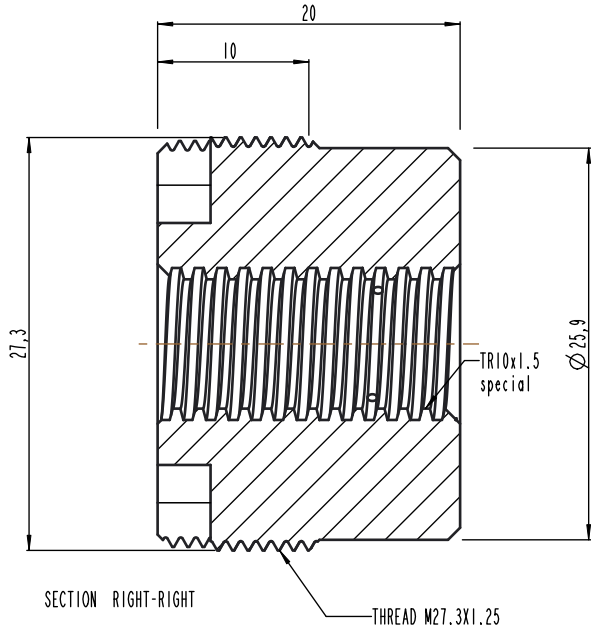


No. of changes on drawing:	Date:	Checked & approved by:



7110	1/1		D27.3x20	N7	ISO 2768 M	-					
Position: Quantity:		Material:		Size:	Open roughness:	Open tolerances:	Treatment & Remarks:				
Bolka B.		Bolka J.	Bolka B.	7110		SDNMSM4M2	7110-A	2,000	67,840 g		
Drawn by:		Checked by:		Approved by:		EAN code / standard:	Code #2:	No. of drawing:	Scale:		
									Mass:		
			Description: Spindle Bronze Nut TR10x1.5 for SM4 M2						Latest version:	Date:	Page:
			File: NAV_MAT_SM4-M2 / NAV_MAT_SM4-M2_FW						1	23.09.13	1 / 1